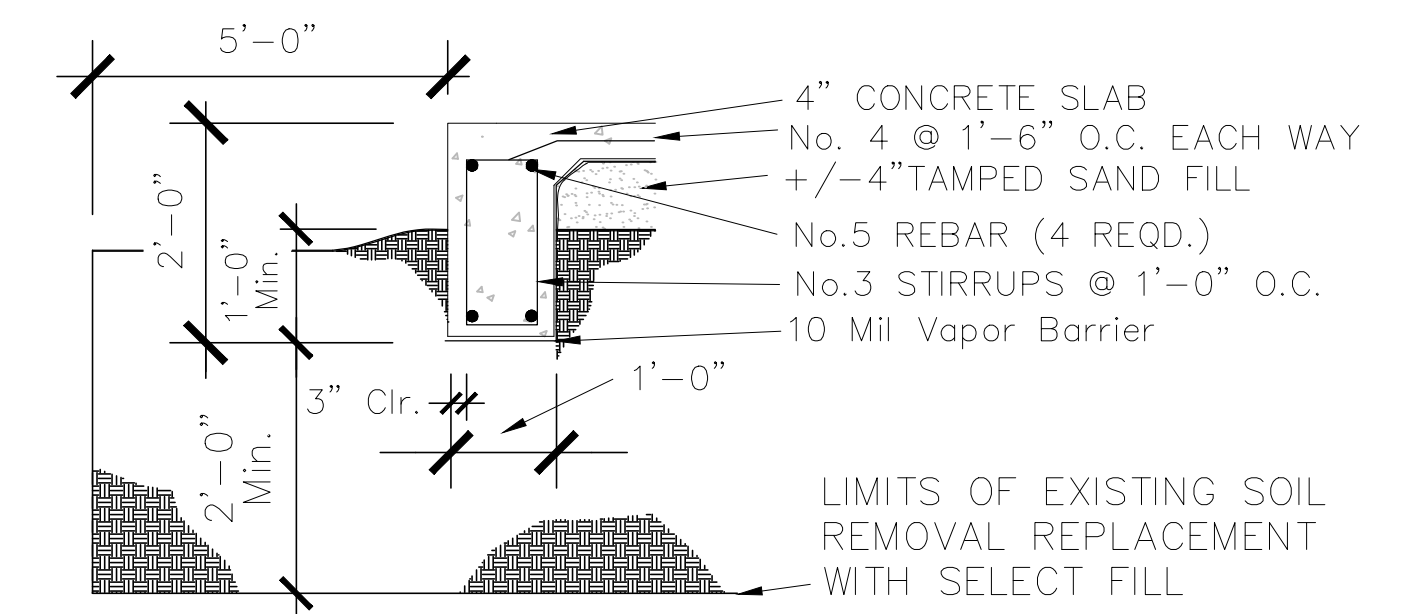


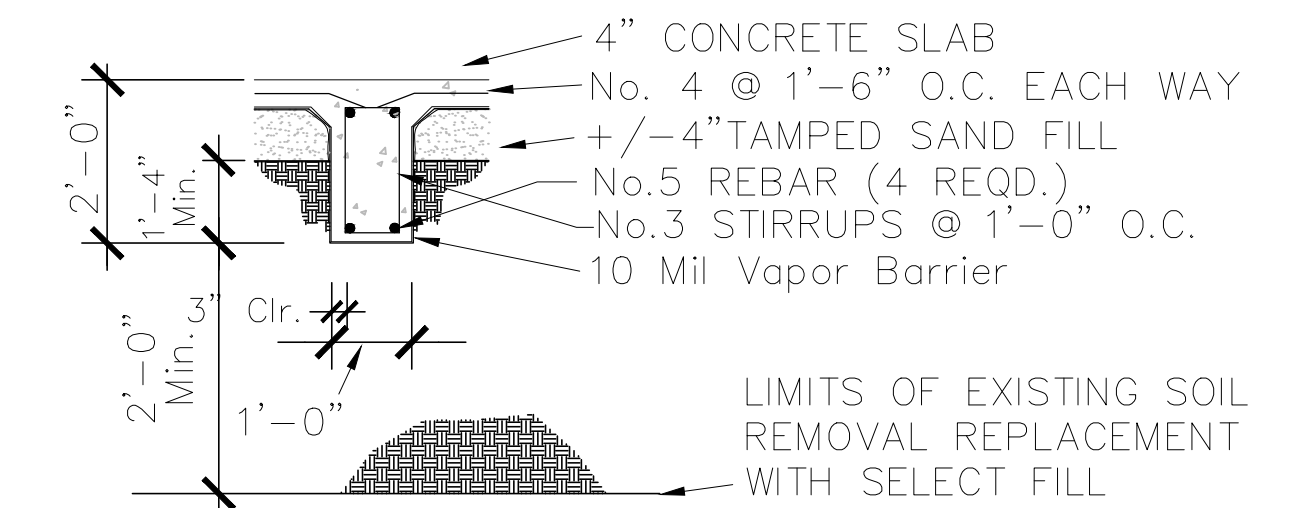
**Grade Beam Corner Details**

NO SCALE



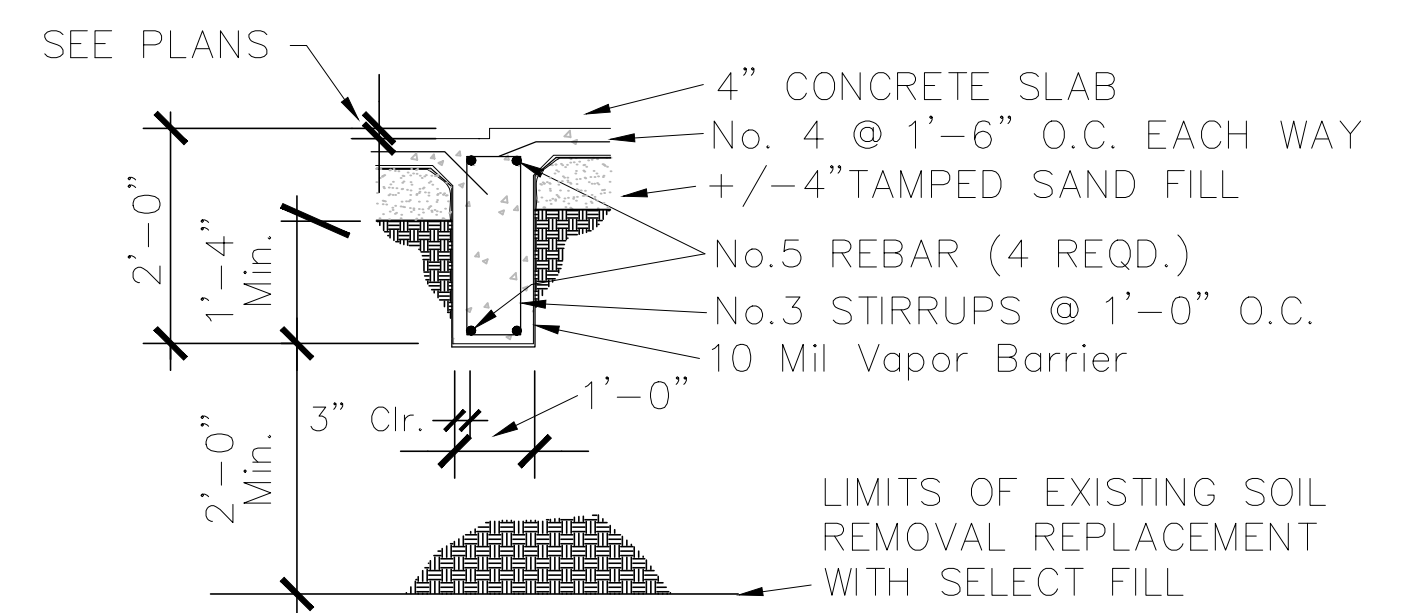
**Typical Exterior Grade Beam**

NO SCALE



**Typical Interior Beam**

NO SCALE



**Typical Beam with Drop**

NO SCALE

**General Concrete Notes**

1. CONCRETE CONSTRUCTION SHALL CONFORM TO ACI318 BUILDING CODE FOR REINFORCED CONCRETE.
2. ALL CAST-IN-PLACE CONCRETE SHALL HAVE A MINIMUM 28-DAY STRENGTH OF 3,000 PSI WHEN TESTED IN ACCORDANCE WITH ASTM DESIGNATION C39. CALCIUM CHLORIDE NOT TO BE USED AS ADDITIVES.
3. CONCRETE PLACEMENT IN HOT OR COLD WEATHER SHALL CONFORM TO THE PROVISIONS OF ACI 305R OR 306R, RESPECTIVELY.
4. ALL REINFORCING STEEL SHALL BE GRADE 60 STEEL AS PER ASTM A615. ALL LAP SPLICES FOR CONTINUOUS REINFORCING STEEL SHALL BE 30 BAR DIAMETERS UNLESS OTHERWISE SPECIFIED. ALL REINFORCING SHOWN TO BE HOOKED SHALL HAVE STANDARD HOOKS AS PER ACI315.
5. VAPOR BARRIER MEMBRANE FOR FOUNDATION CONSTRUCTION SHALL BE 10-MIL POLYETHYLENE. JOINTS ALONG SAID MEMBRANE SHALL BE LAPPED 6 INCHES AND SEALED WITH ADHESIVE TO PROVIDE A CONTINUOUS MOISTURE BARRIER UNDER THE ENTIRE SLAB. CARE SHALL BE TAKEN NOT TO PUNCTURE MEMBRANE.
6. THE LATEST REVISIONS OF THE FOLLOWING AMERICAN SOCIETY FOR TESTING AND MATERIALS STANDARDS SHALL BE USED FOR REINFORCED CONCRETE MATERIALS:
  - 1.1 "SPECIFICATIONS FOR CONCRETE AGGREGATES" (ASTM C33)
  - 1.2 "SPECIFICATIONS FOR PORTLAND CEMENT" (ASTM C150)
  - 1.3 "SPECIFICATIONS FOR READY-MIXED CONCRETE" (ASTM C94)
  - 1.4 "SPECIFICATIONS FOR DEFORMED AND PLAIN CARBON STEEL BARS FOR CONCRETE REINFORCEMENT" (ASTM A615, GRADE 60)
7. FRACTIONAL DIMENSIONS MAY REQUIRE ON SITE FIELD ADJUSTMENT.
8. SEE GEOTECHNICAL REPORT FOR FOUNDATION RECOMMENDATIONS AND CONSTRUCTION CONSIDERATIONS.

**FOUNDATION**

SCALE: 3/8" = 1'

Nesvadba Design Services

P.O. Box 353, Texas, 77461  
 Phone: 281.543.4660  
 E-mail: ags96@consolidated.net

Sheet No.

**S1**  
 of 12

**Needville Youth Fair**  
 Administration Building Improvement